

SC (Bianco-White-Blanc-Weiss)

W

Code		Nominal/lm				Real/lm				System/W		mm
3000K	4000K	DOWN		UP		DOWN		UP		DOWN	UP	
		3K	4K	3K	4K	3K	4K	3K	4K			
SC01/3K/WG_	SC01/4K/WG_	2280	2400	1140	1200	1091	1149	967	1017	17	7,6	853
SC02/3K/WG_	SC02/4K/WG_	3040	3200	1710	1800	1455	1532	1403	1476	23	11,5	1133
SC03/3K/WG_	SC03/4K/WG_	3800	4000	2280	2400	1819	1915	1840	1936	28,5	15	1414
SC04/3K/WG_	SC04/4K/WG_	5320	5600	3420	3600	2546	2681	2714	2855	40	23	1975
SC05/3K/WG_	SC05/4K/WG_	6840	7200	4560	4800	3274	3447	3586	3773	51,5	30	2540
SC06/3K/WG_	SC06/4K/WG_	7600	8000	5130	5400	3637	3830	4024	4233	57	34	2816

SC (Nero-Black-Noir-Schwarz)

B

Code		Nominal/lm				Real/lm				System/W		mm
3000K	4000K	DOWN		UP		DOWN		UP		DOWN	UP	
		3K	4K	3K	4K	3K	4K	3K	4K			
SC01/3K/BG_	SC01/4K/BG_	2280	2400	1140	1200	1091	1149	967	1017	17	7,6	853
SC02/3K/BG_	SC02/4K/BG_	3040	3200	1710	1800	1455	1532	1403	1476	23	11,5	1133
SC03/3K/BG_	SC03/4K/BG_	3800	4000	2280	2400	1819	1915	1840	1936	28,5	15	1414
SC04/3K/BG_	SC04/4K/BG_	5320	5600	3420	3600	2546	2681	2714	2855	40	23	1975
SC05/3K/BG_	SC05/4K/BG_	6840	7200	4560	4800	3274	3447	3586	3773	51,5	30	2540
SC06/3K/BG_	SC06/4K/BG_	7600	8000	5130	5400	3637	3830	4024	4233	57	34	2816

CRI >80	CRI>90 ON REQUEST	DRIVER INCLUDED	UGR <25	IK05	IP40	CE	RoHS	Energy	A++	A+	A
---------	-------------------	-----------------	---------	------	------	----	------	--------	-----	----	---

Profilo lineare LED per installazione a sospensione biemissione. Kit di fissaggio non inclusi. Doppia accensione disponibile con il driver DALI.

LED linear profile for bi-emission suspended installation. Fixing kit not included. Double switching available for DALI version.

Profil linéaire LED pour installation suspension bi-émission. Kit de fixation non inclus. Double allumage possible uniquement pour les versions DALI.

Lineares LED-Profil für Pendel Bi-Emission. Installations-Kit nicht erhalten. Doppelschaltung mit DALI Treiber erhältlich.

LED SAMSUNG 2835 CRI>80 - su richiesta CRI>90 - tolleranza colore 3 MacAdam (3 SDMC).

LED SAMSUNG 2835 CRI>80 - CRI>90 on request - 3 MacAdam Standard Deviation Colour Matching (3 SDMC).

LED SAMSUNG 2835 IRC>80 - sur demande IRC >90 Ellipse 3 Mac Adam (3 SDMC)

LED SAMSUNG 2835 IRC>80 auf Anfrage IRC >90 Ellipse 3 Mac Adam (3 SDMC)

Life time >50.000 h - L80B10 Range potenza e flusso luminoso a Tc 65°C: 7,6-91W; 1140-13400lm

Life time >50.000 h - L80B10 Power range and luminous flux at Tc 65°C 7,6-91W; 1140-13400lm

Durée de vie 50.000h - L80B10 Puissance et flux lumineux à Tc 65°C 7,6W-91W; 1140lm-13400lm

Lebensdauer 50.000h - L80B10 Leistung und Lichtstrom Tc 65°C 7,6W-91W; 1140lm-13400lm

Profilo di alluminio estruso verniciato bianco o nero. Testate di chiusura in policarbonato bianco o nero. Giunti lineari per installazione a sistema.

White or black painted extruded aluminum profile. White or black polycarbonate end caps. Linear joints for system configuration.

Profil en aluminium extrudé peint blanc ou noir. Embouts de fermeture en polycarbonate blanc ou noir. Jonctions linéaire pour installation en système.

Aluminium-Strangpressprofil weiss oder schwarz lackiert. Endkappen in weiss oder schwarz Polycarbonat. Linear Winkel für System-Installation.

Diffusore opale.

Opal diffuser.

Diffuseur opale.

Diffusor Opal.

Alimentatore 220-240V - 50/60Hz incluso. (ON-OFF, PUSH, DIM 1-10V, DALI). Controllo wireless.

220-240V - 50/60Hz driver included (ON-OFF, PUSH, DIM 1-10V, DALI). Wireless control.

Alimentation 220-240V - 50/60Hz incluse. (ON-OFF, PUSH, DIM 1-10V, DALI). Contrôle Wireless.

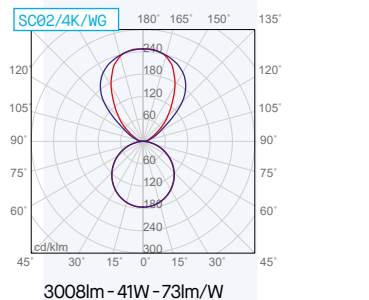
Netzgerät 220-240V - 50/60Hz enthalten. (ON-OFF, PUSH, DIM 1-10V, DALI). Drahtlose Steuerung.

Prodotto certificato da IMQ.

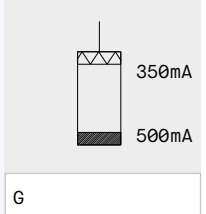
The product certified by IMQ

Produit certifié par IMQ

Produkt von IMQ zertifiziert



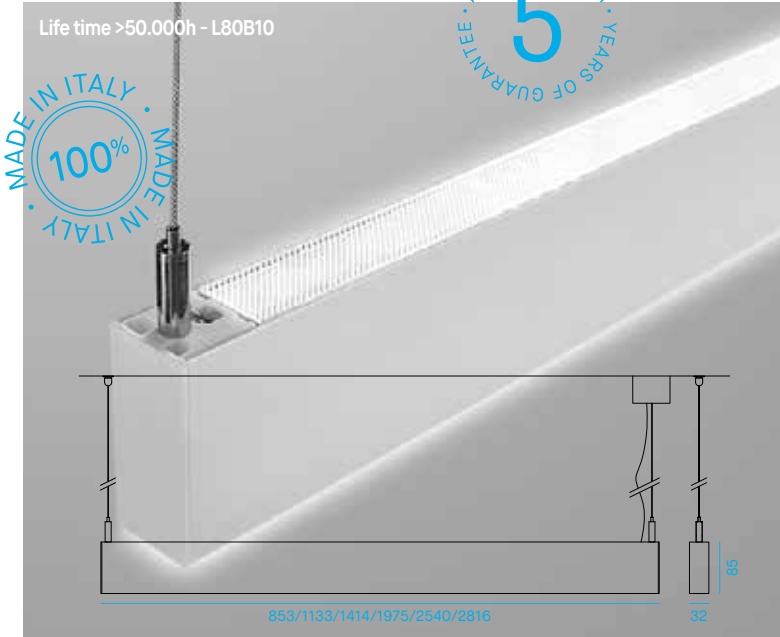
Accessori indispensabili da ordinare separatamente, vedi p.4 Essential accessories, to be ordered separately, see p.4 Accessoires indispensables à commander séparément, voir page 4 Erforderliche Zubehöre sind separat zu bestellen, siehe Seite 4



Microprismatic + Opal
Micro-prismatique + opale
Mikroprismatisch + opal

Completare il codice prodotto identificando il driver - Choose the driver version you need to complete the product's code
Compléter le code produit en choisissant le type d'alimentation - Fillen Sie den Produkt-Code durch die Auswahl des Drivers aus

Code	Descrizione	Description	Description	Beschreibung
SC_/_/_/_1	Con driver ON-OFF Made in Italy	With Made in Italy ON-OFF driver	Avec alimentation ON-OFF Made in Italy	Mit Treiber ON-OFF Made in Italy
SC_/_/_/_2	Con driver DIM 1-10V Made in Italy	With Made in Italy DIM 1-10V driver	Avec alimentation DIM 1-10V Made in Italy	Mit Treiber DIM 1-10V Made in Italy
SC_/_/_/_2P	Con driver PUSH Made in Italy	With Made in Italy PUSH driver	Avec alimentation PUSH Made in Italy	Mit Treiber PUSH Made in Italy
SC_/_/_/_3	Con driver DALI Made in Italy	With Made in Italy DALI driver	Avec alimentation DALI Made in Italy	Mit Treiber DALI Made in Italy



CRI >80	CRI>90 ON REQUEST	DRIVER INCLUDED	UGR <25	IK05	IP40	CE	RoHS	Energy Star	A++	A+	A
---------	-------------------	-----------------	---------	------	------	----	------	-------------	-----	----	---

SC (Bianco-White-Blanc-Weiss)

W

Code	Nominal/lm	Real/lm				System/W		mm				
		DOWN 3K	DOWN 4K	UP 3K	UP 4K	DOWN	UP					
3000K 4000K		3K	4K	3K	4K	3K	4K	3K	4K	DOWN	UP	
SC01/3K/WM_ SC01/4K/WM_	2280 2400 1140 1200	1091	1149	967	1017	17	7,6	853				
SC02/3K/WM_ SC02/4K/WM_	3040 3200 1710 1800	1455	1532	1403	1476	23	11,5	1133				
SC03/3K/WM_ SC03/4K/WM_	3800 4000 2280 2400	1819	1915	1840	1936	28,5	15	1414				
SC04/3K/WM_ SC04/4K/WM_	5320 5600 3420 3600	2546	2681	2714	2855	40	23	1975				
SC05/3K/WM_ SC05/4K/WM_	6840 7200 4560 4800	3274	3447	3586	3773	51,5	30	2540				
SC06/3K/WM_ SC06/4K/WM_	7600 8000 5130 5400	3637	3830	4024	4233	57	34	2816				

SC (Nero-Black-Noir-Schwarz)

B

Code	Nominal/lm	Real/lm				System/W		mm				
		DOWN 3K	DOWN 4K	UP 3K	UP 4K	DOWN	UP					
3000K 4000K		3K	4K	3K	4K	3K	4K	3K	4K	DOWN	UP	
SC01/3K/BM_ SC01/4K/BM_	2280 2400 1140 1200	1091	1149	967	1017	17	7,6	853				
SC02/3K/BM_ SC02/4K/BM_	3040 3200 1710 1800	1455	1532	1403	1476	23	11,5	1133				
SC03/3K/BM_ SC03/4K/BM_	3800 4000 2280 2400	1819	1915	1840	1936	28,5	15	1414				
SC04/3K/BM_ SC04/4K/BM_	5320 5600 3420 3600	2546	2681	2714	2855	40	23	1975				
SC05/3K/BM_ SC05/4K/BM_	6840 7200 4560 4800	3274	3447	3586	3773	51,5	30	2540				
SC06/3K/BM_ SC06/4K/BM_	7600 8000 5130 5400	3637	3830	4024	4233	57	34	2816				

Profilo lineare LED per installazione a sospensione biemissione. Kit di fissaggio non inclusi. Doppia accensione disponibile con il driver DALI.

LED linear profile for bi-emission suspended installation. Fixing kit not included. Double switching available for DALI version.

Profil linéaire LED pour installation suspension bi-émission. Kit de fixation non inclus. Double allumage possible uniquement pour les versions DALI.

Lineares LED-Profil für Pendel Bi-Emission. Installations-Kit nicht erhalten. Doppelschaltung mit DALI Treiber erhältlich.

LED SAMSUNG 2835 CRI>80 - su richiesta CRI>90 - tolleranza colore 3 MacAdam (3 SDMC).

LED SAMSUNG 2835 CRI>80 - CRI>90 on request - 3 MacAdam Standard Deviation Colour Matching (3 SDMC).

LED SAMSUNG 2835 IRC>80 - sur demande IRC >90 Ellipse 3 Mac Adam (3 SDMC)

LED SAMSUNG 2835 IRC>80 auf Anfrage IRC >90 Ellipse 3 Mac Adam (3 SDMC)

Life time >50.000 h - L80B10 Range potenza e flusso luminoso a Tc 65°C: 7,6-91W; 1140-13400lm

Life time >50.000 h - L80B10 Power range and luminous flux at Tc 65°C 7,6-91W; 1140-13400lm

Durée de vie 50.000h - L80B10 Puissance et flux lumineux à Tc 65°C 7,6W-91W; 1140lm-13400lm

Lebensdauer 50.000h - L80B10 Leistung und Lichtstrom Tc 65°C 7,6W-91W; 1140lm-13400lm

Profilo di alluminio estruso verniciato bianco o nero. Testate di chiusura in policarbonato bianco o nero. Giunti lineari per installazione a sistema.

White or black painted extruded aluminum profile. White or black polycarbonate end caps. Linear joints for system configuration.

Profil en aluminium extrudé peint blanc ou noir. Embouts de fermeture en polycarbonate blanc ou noir. Jonctions linéaire pour installation en système.

Aluminium-Strangpressprofil weiss oder schwarz lackiert. Endkappen in weiss oder schwarz Polycarbonat. Linear Winkel für System-Installation.

Diffusore microprismatico.

Micro prismatic diffuser.

Diffuseur micro-prismatique.

Diffusor mikroprismatisch.

Alimentatore 220-240V - 50/60Hz incluso. (ON-OFF, PUSH, DIM 1-10V, DALI). Controllo wireless.

220-240V - 50/60Hz driver included (ON-OFF, PUSH, DIM 1-10V, DALI). Wireless control.

Alimentation 220-240V - 50/60Hz incluse. (ON-OFF, PUSH, DIM 1-10V, DALI). Contrôle Wireless.

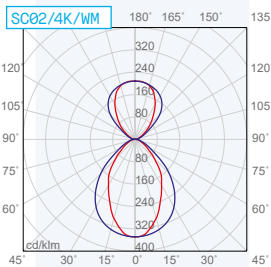
Netzgerät 220-240V - 50/60Hz enthalten. (ON-OFF, PUSH, DIM 1-10V, DALI). Drahtlose Steuerung.

Prodotto certificato da IMQ.

The product certified by IMQ

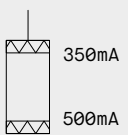
Produit certifié par IMQ

Produkt von IMQ zertifiziert



3580lm - 42W - 85lm/W

Accessori indispensabili da ordinare separatamente, vedi p.4 Essential accessories, to be ordered separately, see p.4 Accessoires indispensables à commander séparément, voir page 4 Erforderliche Zubehöre sind separat zu bestellen, siehe Seite 4

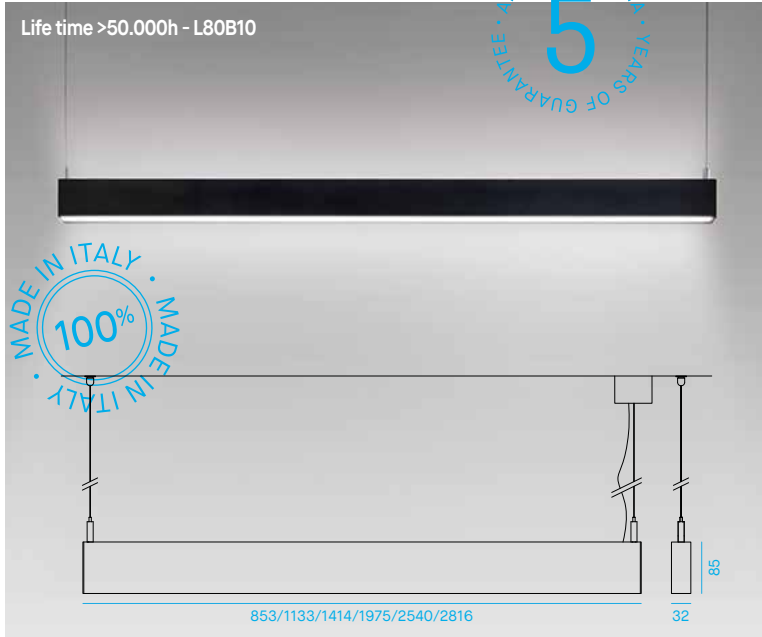


M

Microprismatic
Micro-prismatique
Mikroprismatisch

Completare il codice prodotto identificando il driver - Choose the driver version you need to complete the product's code Compléter le code produit en choisissant le type d'alimentation - Füllen Sie den Produkt-Code durch die Auswahl des Drivers aus

Code	Descrizione	Description	Description	Beschreibung
SC_/_/_/_1	Con driver ON-OFF Made in Italy	With Made in Italy ON-OFF driver	Avec alimentation ON-OFF Made in Italy	Mit Treiber ON-OFF Made in Italy
SC_/_/_/_2	Con driver DIM 1-10V Made in Italy	With Made in Italy DIM 1-10V driver	Avec alimentation DIM 1-10V Made in Italy	Mit Treiber DIM 1-10V Made in Italy
SC_/_/_/_2P	Con driver PUSH Made in Italy	With Made in Italy PUSH driver	Avec alimentation PUSH Made in Italy	Mit Treiber PUSH Made in Italy
SC_/_/_/_3	Con driver DALI Made in Italy	With Made in Italy DALI driver	Avec alimentation DALI Made in Italy	Mit Treiber DALI Made in Italy



CRI >80	CRI>90 ON REQUEST	DRIVER INCLUDED	UGR <16	IK05	IP40	CE	RoHS	Energy	A++	A+	A
---------	-------------------	-----------------	---------	------	------	----	------	--------	-----	----	---

SC (Bianco-White-Blanc-Weiss)

W

Code	Nominal/lm				Real/lm				System/W		mm	
	DOWN		UP		DOWN		UP		DOWN	UP		
3000K	4000K	3K	4K	3K	4K	3K	4K	3K	4K			
SC01/3K/WP_	SC01/4K/WP_	1710	1800	1140	1200	1677	1760	922	971	11.5	7.6	853
SC02/3K/WP_	SC02/4K/WP_	2280	2400	1710	1800	2236	2346	1404	1477	15	11.5	1133
SC03/3K/WP_	SC03/4K/WP_	2850	3000	2280	2400	2795	2934	1884	1981	19	15	1414
SC04/3K/WP_	SC04/4K/WP_	3990	4200	3420	3600	3913	4107	2845	2992	27	23	1975
SC05/3K/WP_	SC05/4K/WP_	5130	5400	4560	4800	5031	5281	3807	4003	34	30	2540
SC06/3K/WP_	SC06/4K/WP_	5700	6000	5130	5400	5590	5867	4287	4509	38	34	2816

SC (Nero-Black-Noir-Schwarz)

B

Code	Nominal/lm				Real/lm				System/W		mm	
	DOWN		UP		DOWN		UP		DOWN	UP		
3000K	4000K	3K	4K	3K	4K	3K	4K	3K	4K			
SC01/3K/BP_	SC01/4K/BP_	1710	1800	1140	1200	1677	1760	922	971	11.5	7.6	853
SC02/3K/BP_	SC02/4K/BP_	2280	2400	1710	1800	2236	2346	1404	1477	15	11.5	1133
SC03/3K/BP_	SC03/4K/BP_	2850	3000	2280	2400	2795	2934	1884	1981	19	15	1414
SC04/3K/BP_	SC04/4K/BP_	3990	4200	3420	3600	3913	4107	2845	2992	27	23	1975
SC05/3K/BP_	SC05/4K/BP_	5130	5400	4560	4800	5031	5281	3807	4003	34	30	2540
SC06/3K/BP_	SC06/4K/BP_	5700	6000	5130	5400	5590	5867	4287	4509	38	34	2816

Profilo lineare LED per installazione a sospensione biemissione. Kit di fissaggio non inclusi. Doppia accensione disponibile con il driver DALI.

LED linear profile for bi-emission suspended installation. Fixing kit not included. Double switching available for DALI version.

Profil linéaire LED pour installation suspension bi-émission. Kit de fixation non inclus. Double allumage possible uniquement pour les versions DALI.

Lineares LED-Profil für Pendel Bi-Emission. Installations-Kit nicht erhalten. Doppelschaltung mit DALI Treiber erhältlich.

LED SAMSUNG 2835 CRI>80 - su richiesta CRI>90 - tolleranza colore 3 MacAdam (3 SDCM).

LED SAMSUNG 2835 CRI>80 - CRI>90 on request - 3 MacAdam Standard Deviation Colour Matching (3 SDCM).

LED SAMSUNG 2835 IRC>80 - sur demande IRC >90 Ellipse 3 Mac Adam (3 SDCM)

LED SAMSUNG 2835 IRC>80 auf Anfrage IRC >90 Ellipse 3 Mac Adam (3 SDCM)

Life time >50.000 h - L80B10
Range potenza e flusso luminoso a Tc 65°C: 7,6-91W; 1140-13400lm

Life time >50.000 h - L80B10
Power range and luminous flux at Tc 65°C: 7,6-91W; 1140-13400lm

Durée de vie 50.000h - L80B10
Puissance et flux lumineux à Tc 65°C: 7,6W-91W; 1140lm-13400lm

Lebensdauer 50.000h - L80B10
Leistung und Lichtstrom Tc 65°C: 7,6W-91W; 1140lm-13400lm

Profilo di alluminio estruso verniciato bianco o nero. Testate di chiusura in policarbonato bianco o nero. Giunti lineari per installazione a sistema.

White or black painted extruded aluminum profile. White or black polycarbonate end caps. Linear joints for system configuration.

Profil en aluminium extrudé peint blanc ou noir. Embouts de fermeture en polycarbonate blanc ou noir. Jonctions linéaire pour installation en système.

Aluminium-Strangpressprofil weiss oder schwarz lackiert. Endkappen in weiss oder schwarz Polycarbonat. Linear Winkel für System-Installation.

Sistema ottico UGR<19
Indici di riflessione 70/50/20

Optical system granting UGR<19
Refletion indices 70/50/20

Optique UGR<19
Indices de réflexion 70/50/20

Optik UGR< 19
Reflexionsindizes 70/50/20

Alimentatore 220-240V - 50/60Hz incluso. (ON-OFF, PUSH, DIM 1-10V, DALI). Controllo wireless.

220-240V - 50/60Hz driver included (ON-OFF, PUSH, DIM 1-10V, DALI). Wireless control.

Alimentation 220-240V - 50/60Hz incluse. (ON-OFF, PUSH, DIM 1-10V, DALI). Contrôle Wireless.

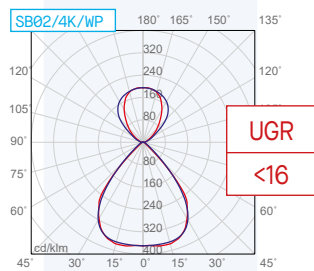
Netzgerät 220-240V - 50/60Hz enthalten. (ON-OFF, PUSH, DIM 1-10V, DALI). Drahtlose Steuerung.

Prodotto certificato da IMQ.

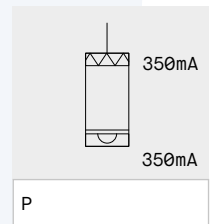
The product certified by IMQ

Produit certifié par IMQ

Produkt von IMQ zertifiziert



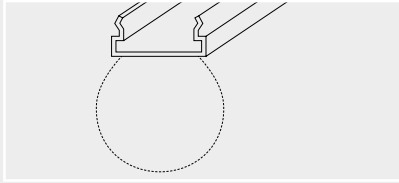
Accessori indispensabili da ordinare separatamente, vedi p.4
Essential accessories, to be ordered separately, see p.4
Accessoires indispensables à commander séparément, voir page 4
Erforderliche Zubehöre sind separat zu bestellen, siehe Seite 4



Microprismatic + Ottica UGR<19
Micro prismatic + UGR<19 Optics
Micro-prismatique + Optique UGR<19
Mikroprismatisch + Optik UGR<19

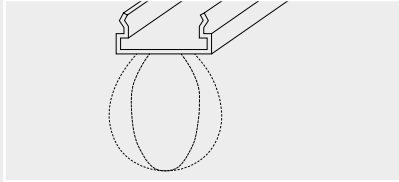
Completare il codice prodotto identificando il driver - Choose the driver version you need to complete the product's code
Compléter le code produit en choisissant le type d'alimentation - Füllen Sie den Produkt-Code durch die Auswahl des Drivers aus

Code	Descrizione	Description	Description	Beschreibung
SC_/_/_/_1	Con driver ON-OFF Made in Italy	With Made in Italy ON-OFF driver	Avec alimentation ON-OFF Made in Italy	Mit Treiber ON-OFF Made in Italy
SC_/_/_/_2	Con driver DIM 1-10V Made in Italy	With Made in Italy DIM 1-10V driver	Avec alimentation DIM 1-10V Made in Italy	Mit Treiber DIM 1-10V Made in Italy
SC_/_/_/_2P	Con driver PUSH Made in Italy	With Made in Italy PUSH driver	Avec alimentation PUSH Made in Italy	Mit Treiber PUSH Made in Italy
SC_/_/_/_3	Con driver DALI Made in Italy	With Made in Italy DALI driver	Avec alimentation DALI Made in Italy	Mit Treiber DALI Made in Italy



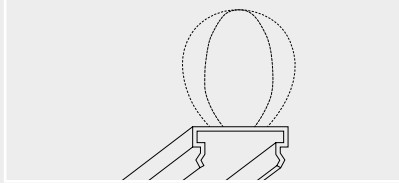
S__/S

Code	Descrizione	Description	Description	Beschreibung
S__/S	Diffusore opalino (01=853mm-02=1133mm-03=1414mm-04=1975mm-05=2540mm-06=2816mm)	Opal diffuser	Diffuseur opale	Opal Diffusor



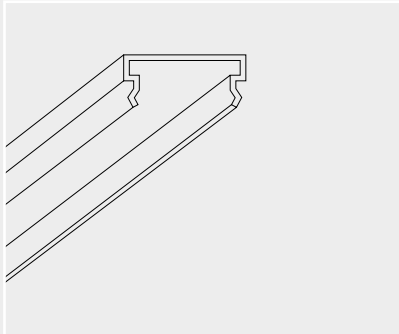
S__/M

Code	Descrizione	Description	Description	Beschreibung
S__/M	Diffusore microprismatico (01=853mm-02=1133mm-03=1414mm-04=1975mm-05=2540mm-06=2816mm)	Micro prismatic diffuser	Diffuseur micro-prismatique	MikroPrismatik Diffusor



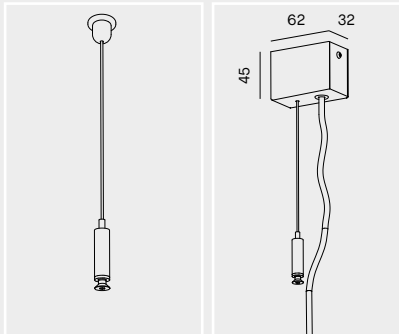
S__/CM/UP

Code	Descrizione	Description	Description	Beschreibung
S__/CM/UP	Diffusore microprismatico superiore (01=853mm-02=1133mm-03=1414mm-04=1975mm-05=2540mm-06=2816mm)	Upper micro prismatic diffuser	Diffuseur supérieur micro-prismatique	Oberer MikroPrismatik Diffusor



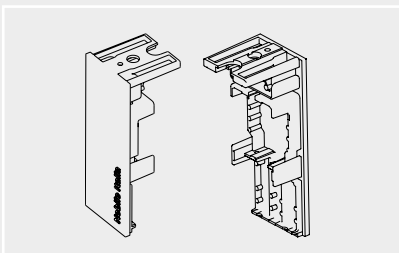
S__/AL/_

Code	Descrizione	Description	Description	Beschreibung
S01/AL_*	Copertura superiore in alluminio verniciato bianco o nero per profilo L853mm	Upper cover in white or black painted aluminium for length 853mm	Couvercle supérieure en aluminium peint blanc ou noir pour luminaire L853mm	Obere Aluminium Abdeckung weiss oder schwarz lackiert für L853mm
S02/AL_*	Copertura superiore in alluminio verniciato bianco o nero per profilo L1133mm	Upper cover in white or black painted aluminium for length L1133mm	Couvercle supérieure en aluminium peint blanc ou noir pour luminaire L1133mm	Obere Aluminium Abdeckung weiss oder schwarz lackiert für L1133mm
S03/AL_*	Copertura superiore in alluminio verniciato bianco o nero per profilo L1414mm	Upper cover in white or black painted aluminium for length L1414mm	Couvercle supérieure en aluminium peint blanc ou noir pour luminaire L1414mm	Obere Aluminium Abdeckung weiss oder schwarz lackiert für L1414mm
S04/AL_*	Copertura superiore in alluminio verniciato bianco o nero per profilo L1975mm	Upper cover in white or black painted aluminium for length L1975mm	Couvercle supérieure en aluminium peint blanc ou noir pour luminaire L1975mm	Obere Aluminium Abdeckung weiss oder schwarz lackiert für L1975mm
S05/AL_*	Copertura superiore in alluminio verniciato bianco o nero per profilo L2570mm	Upper cover in white or black painted aluminium for length L2570mm	Couvercle supérieure en aluminium peint blanc ou noir pour luminaire L2570mm	Obere Aluminium Abdeckung weiss oder schwarz lackiert für L2570mm
S06/AL_*	Copertura superiore in alluminio verniciato bianco o nero per profilo L2816mm	Upper cover in white or black painted aluminium for length L2816mm	Couvercle supérieure en aluminium peint blanc ou noir pour luminaire L2816mm	Obere Aluminium Abdeckung weiss oder schwarz lackiert für L2816mm



SB/KIT SB/KIT/R/_ - SB/KIT/R/DALI/_

Code	Descrizione	Description	Description	Beschreibung
SB/KIT	Kit sospensione in acciaio regolabile L1500mm (1pz)	Adjustable steel suspensions kit L1500mm (1pc)	Kit suspension en acier réglable L1500mm (1pc)	Kit Pendel aus einstellbarer Stahlfederung L1500mm (1Stk.)
SB/KIT/R/_*	Kit rosone di alimentazione a 3 poli L2000mm + cavo di sospensione in acciaio regolabile L1500mm per driver ON-OFF	3 pole - ceiling rose power cable L2000mm + adjustable steel suspension cable L1500mm for ON-OFF versions	Kit avec rosace et câble d'alimentation 3 pôles L2000mm + câble en acier L1500mm pour version ON-OFF	Kit Baldachin mit Stromversorgung 3-polig L2000mm + einstellbares Stahlkabel L1500mm für ON-OFF Treiber
SB/KIT/R/DALI_*	Kit rosone di alimentazione a 5 poli L2000mm + cavo di sospensione in acciaio regolabile L1500mm per driver DIM 1-10V, PUSH e DALI	5 pole - ceiling rose power cable L2000mm + adjustable steel suspension cable L1500mm for DIM 1-10V, PUSH and DALI versions.	Kit avec rosace et câble d'alimentation 5 pôles L2000mm + câble en acier L1500mm pour versions DIM 1-10V, PUSH and DALI	Kit Baldachin mit Stromversorgung 5-polig L2000mm + einstellbares Stahlkabel L1500mm für DIM 1-10V, PUSH und DALI Treiber.



S/KIT/TAPPO/L/_

Code	Descrizione	Description	Description	Beschreibung
S/KIT/TAPPO/L/W	Kit tappi ad L colore bianco (2pz)	Kit white L end caps (2pcs)	Kit bouchons blancs L (2pcs)	Kit L-Endkappen weiss (2Stk)
S/KIT/TAPPO/L/B	Kit tappi ad L colore nero (2pz)	Kit black L end caps (2pcs)	Kit bouchons noirs L (2pcs)	Kit L-Endkappen schwarz (2Stk)

Completa il codice scegliendo il colore (W=bianco - B=nero)*
Choose the colour you need to complete the product's code (W=white - B=black)
Compléter le code du produit en choisissant la couleur (W: Blanc - B: Noir)
Farbe auswählen um Produktcode zu vervollständigen (W=weiss - B=schwarz)

CONTROLLO WIRELESS

Code	Descrizione	Description	Description	Beschreibung
S/CASAMBI/A/W	Adattatore di colore bianco per la gestione e controllo wireless in remoto - distanza max dall'ultimo apparecchio 300 metri - max 64 driver. Da installare con bassetta codice S51/BI. Solo per driver DALI.	White adaptor for wireless control to be installed in remote up to 300 meters from last luminaire, up to 64 drivers. To be ordered with S51/BI. Only for DALI driver.	Adaptateur blanc pour le contrôle wireless en remote - distance maximale du dernier appareil 300 mètres - 64 appareils maximum. À commander avec le code S51/BI. Uniquement pour version DALI.	Weisser Adapter für Wireless Steuerung - maximale Entfernung vom letzten Gerät 300 Meter - maximal 64 Geräte. Mit S51/BI bestellen. Nur für DALI Treiber
S/CASAMBI/A/B	Adattatore di colore nero per la gestione e controllo wireless in remoto - distanza max dall'ultimo apparecchio 300 metri - max 64 driver. Da installare con bassetta codice S51/NE. Solo per driver DALI.	Black adaptor for wireless control to be installed in remote up to 300 meters from last luminaire, up to 64 drivers. To be ordered with S51/NE. Only for DALI driver.	Adaptateur noir pour le contrôle wireless en remote - distance maximale du dernier appareil 300 mètres - 64 appareils maximum. À commander avec le code S51/NE. Uniquement pour version DALI.	Schwarzer Adapter für Wireless Steuerung - maximale Entfernung vom letzten Gerät 300 Meter - maximal 64 Geräte. Mit S51/NE bestellen. Nur für DALI Treiber.
S/CASAMBI	Unità di controllo wireless da installare in remoto - max 3 driver. Solo per driver DALI.	Wireless control unit to be installed in remote - max 3 drivers. Only for DALI driver.	Unité de contrôle wireless en remote - maximum 3 alimentations. Uniquement pour version DALI.	Wireless Steuerung zur Fernbedienung Installation- max 3 Treiber. Nur für DALI Treiber.